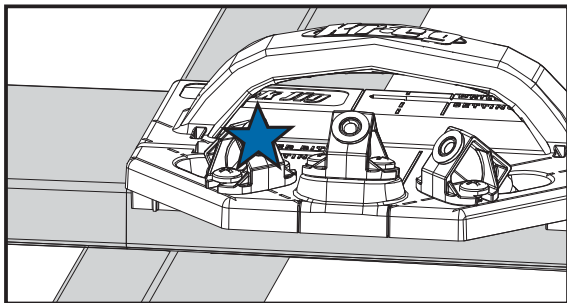


## Hole Placement

Locating screw holes for maximum joint strength depends on several factors. Use the suggestions on the following pages as a guide.

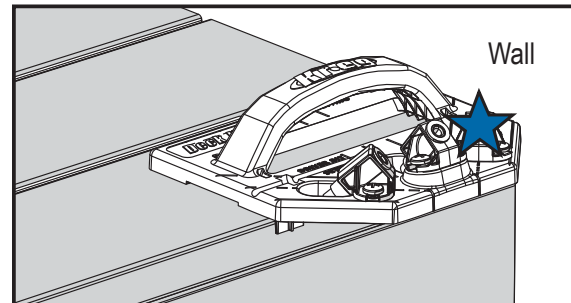
### Board to Board Splice

When securing a splice centered on a joist, use the End Drill Guides. For  $\frac{3}{4}$ "- to  $1\frac{1}{8}$ "-thick deck boards fastened with 2"-long Kreg Deck Screws, align the end of the Deck Jig™ with the splice.



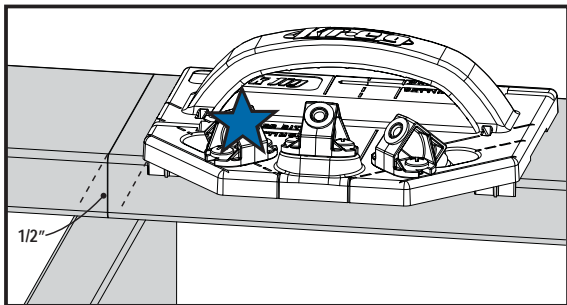
### End of Board (obstructed)

When securing the end of a  $\frac{3}{4}$ "- to  $1\frac{1}{8}$ "-thick deck board with a 2"-long Kreg Deck Screw where the Deck Jig™ cannot protrude beyond the end of the board (wall obstruction), align the end of the jig with the end of the board and use the End Drill Guide.



### Using 2-5/8" long Kreg Deck Screws

For  $1\frac{1}{2}$ "-thick deck boards fastened with 2  $\frac{5}{8}$ "-long Kreg Deck Screws, position the end of the jig  $\frac{1}{2}$ " from the splice.



### Using 2-5/8" long Kreg Deck Screws

For a  $1\frac{1}{2}$ "-thick deck board fastened with a 2  $\frac{5}{8}$ "-long Kreg Deck Screw, position the end of the jig  $\frac{1}{2}$ " from the end of the board.

